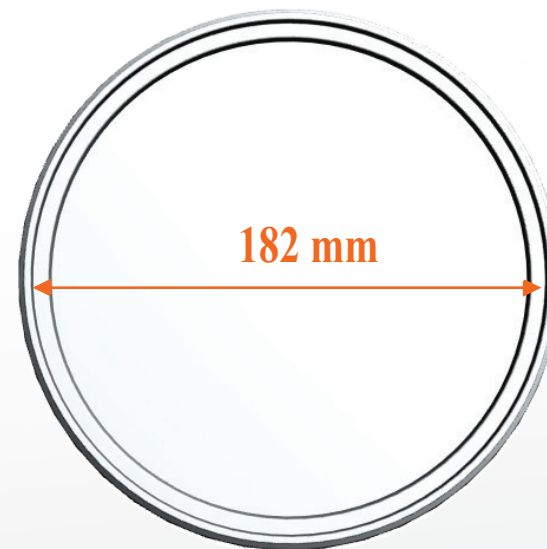
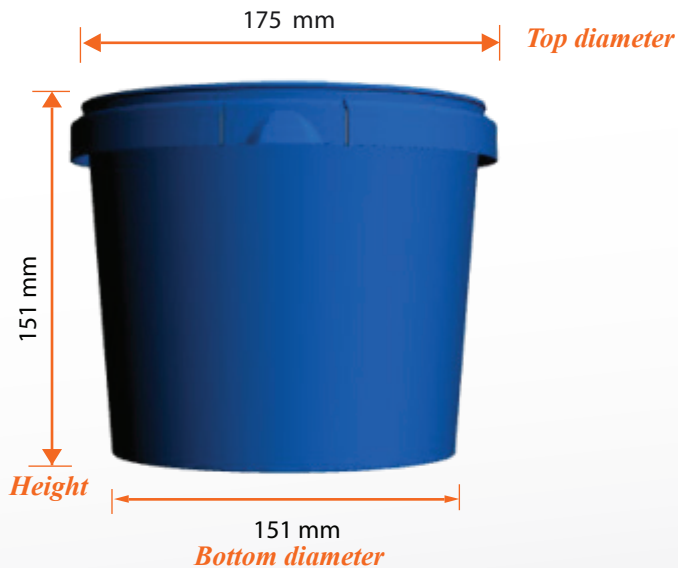


Product Code

F01/02RN2275



Container

LID

Filling Volume:	2275 ml	Material	PP(food grade)	Diameter	182 mm
Top Diameter:	175 mm	Closing	Pilfer-proof	Material	PP (food grade)
Height:	151mm	Handle	Optional	Spoon	Not available

